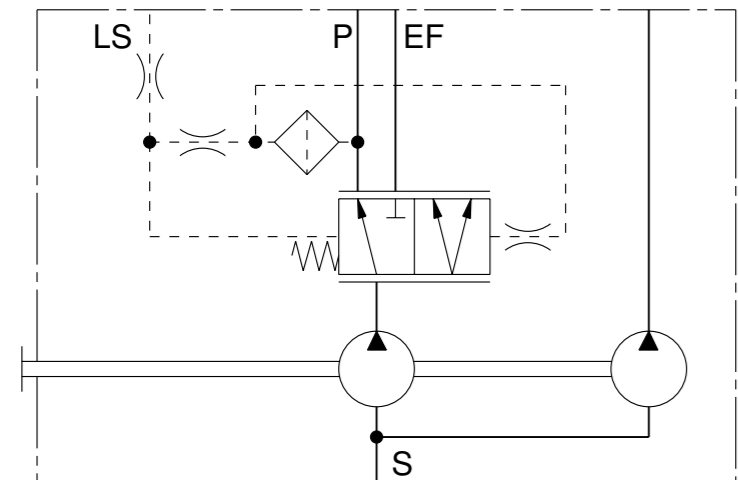


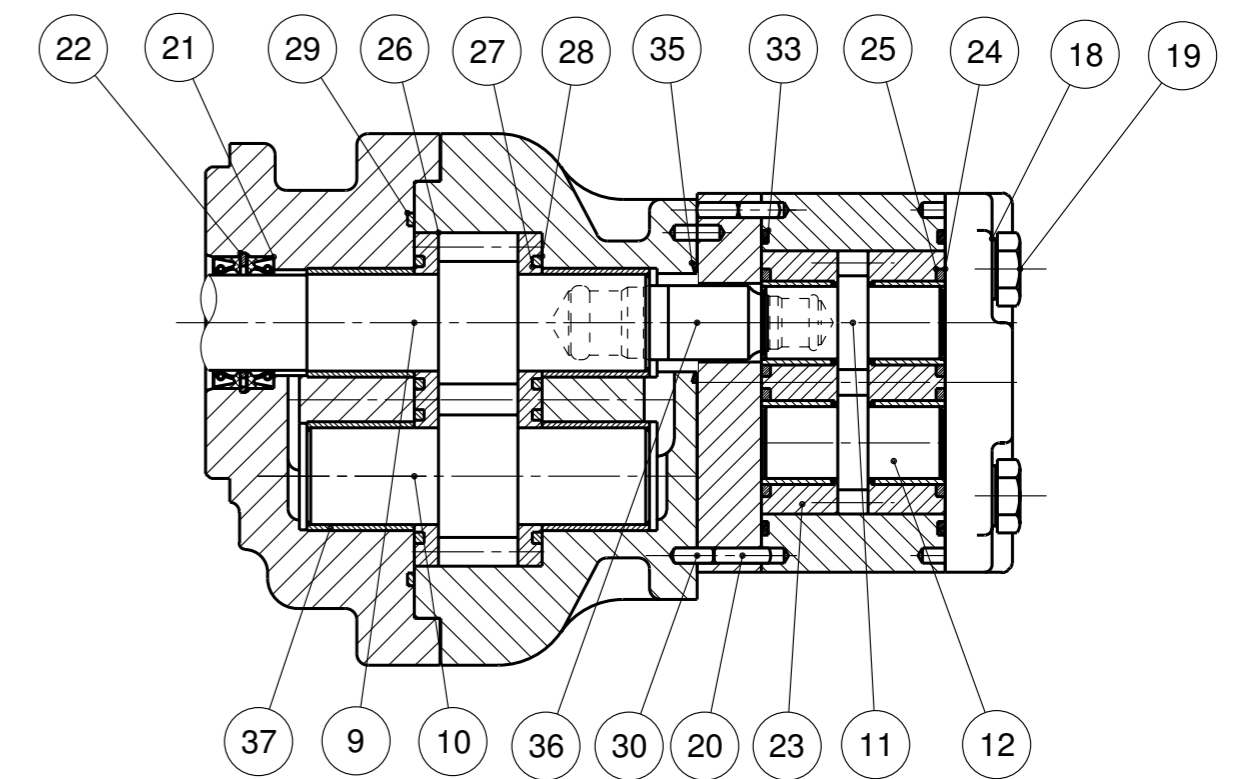
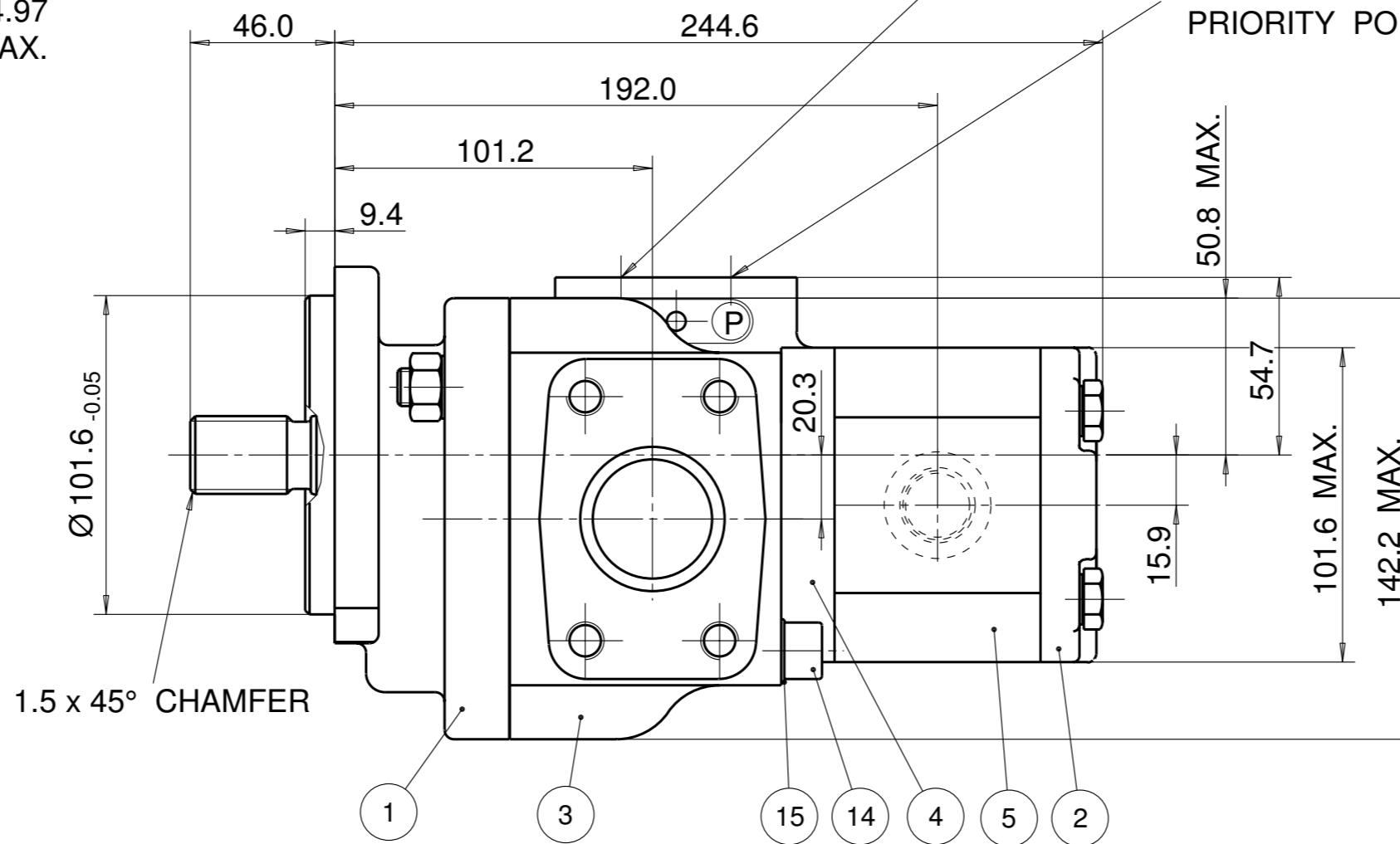
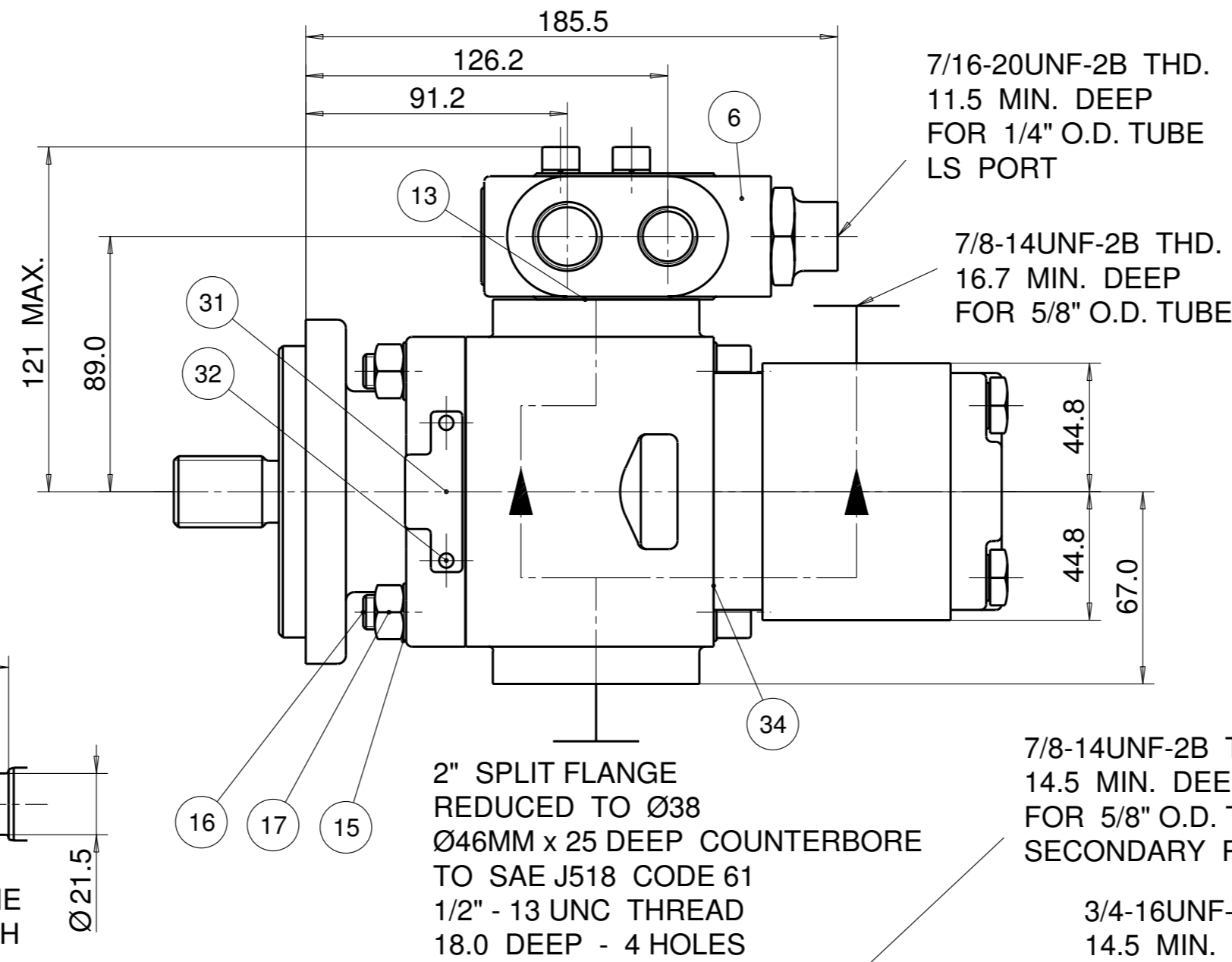
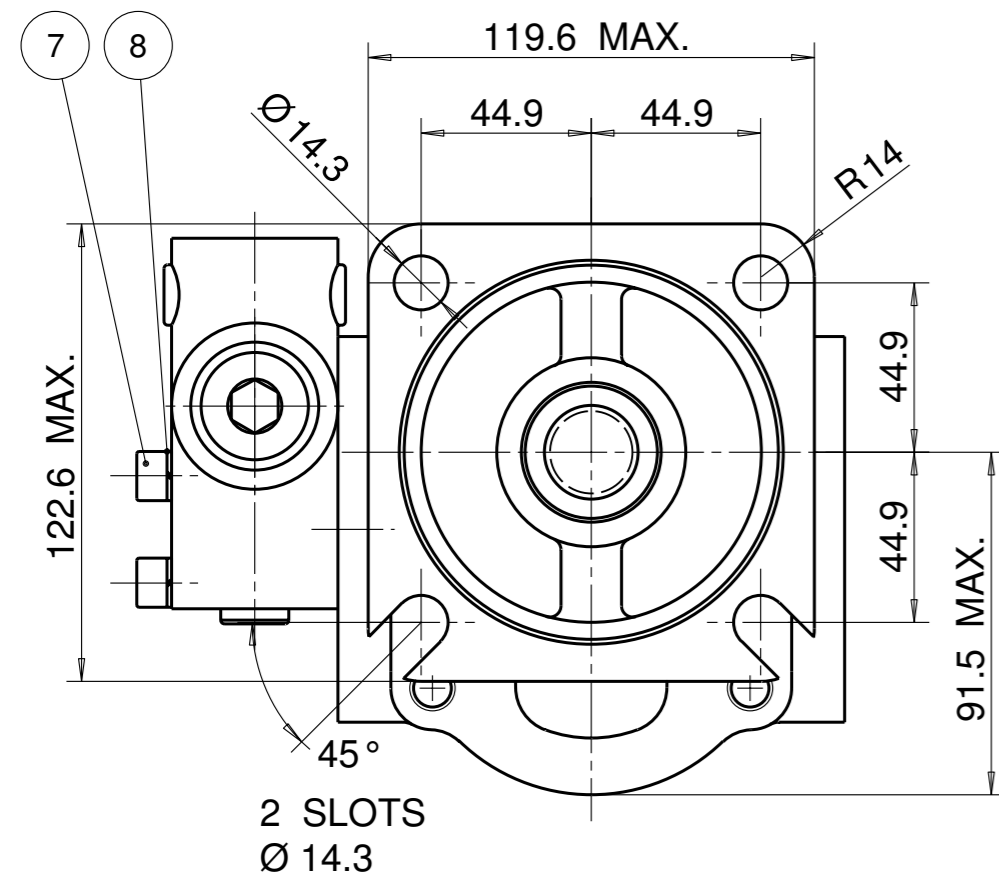
PUMP DATA		
	FRONT PUMP	REAR PUMP
DISPLACEMENT	36.0 ccm	16.0 ccm
MAX.CONT.PRESSURE	SEE VALVE DATA	145 bar
SPEED RATE	500 min ⁻¹ TO 3000 min ⁻¹	
MAX. INPUT SHAFT TORQUE	460 NM	
ROTATION	ANTI CLOCKWISE	



PUMP WITH LOAD SENSING PRIORITY VALVE AND DYNAMIC LOAD SENSING SIGNAL CONTROL PRESSURE 8.5 - 13.5 bar
 MAX. PRESSURE AT EXCESS PORT (EF) 265 bar
 MAX. PRESSURE AT PRIORITY PORT (P) 200 bar

SAE INVOLUTE SPLINE
 15 TEETH - 16/32 PITCH
 FLAT ROOT SIDE FIT
 MAJOR DIA. 24.87 - 24.97
 MINOR DIA. 21.793 MAX.

TORQUE :
 30 ± 4 NM



NOTE

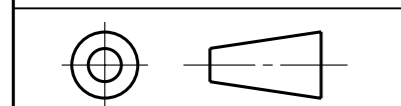
1 FOR ASSEMBLY INSTRUCTIONS SEE DWG. NO. "620-B1"+"511-B1"
 "PGP620+PGP511 PUMP ASSEMBLY INSTRUCTIONS".

ITEM	PART NO	REQD	DESCRIPTION
37	8682-018-00C	4	BUSH
28	8682-015-00Q	2	SEAL. ELEM.
27	8682-016-00L	2	SEAL. ENERG
26	8682-058-00M	2	BAL. PLATE
25	8611-015-000	2	SEAL.BK UP
24	8611-016-00R	2	SEAL.ELEM.
23	8898-207-00U	2	BUSH.BLOCK
22	9211-530-006	1	CIRCLIP
21	8682-019-00Z	2	SEAL. LIP
36	73330:4106685	1	COUPLING
35	9313-024-00W	1	O-RING
34	9313-019-00G	1	O-RING
33	9313-145-00B	2	O-RING
32	391 1432 004	2	SCREW. DR.
31	391 2183 227	1	NAMEPLATE
30	391 2080 078	4	PIN
29	9312-641-004	1	SEAL. SECT.

ITEM	PART NO	REQ'D	DESCRIPTION
20	391 2080 079	1	PIN
19	391 1401 547	4	SCREW (110 MM)
18	391 3782 231	4	WASHER
17	391 1451 149	2	M12 NUT
16	8682-007-00M	2	M12 SCREW
15	9222-575-009	4	WASHER
14	391 1401 809	2	M12 FASTENER
13	9323-644-006	1	O - RING
12	334 2716 000	1	DRIVEN GEAR
11	334 2616 000	1	DRIVE GEAR
10	702 2736 000	1	DRIVEN GEAR
9	702 1236 800	1	DRIVE GEAR
8	391 3782 256	3	WASHER
7	9114-318-00D	3	M8 SCREW
6	350 9612 032	1	PORT MOUNTED LSPFD
5	334 8616 310	1	BODY
4	391 2183 361	1	SPACER
3	702 7936 001	1	BODY
2	332 3000 100	1	COVER
1	2PRF09B39	1	FLANGE

WITH EXCEPTION OF DRIVE SHAFT, FLANGE SPIGOT AND MTG. FACE
 PLUS AREAS AROUND PORTS, ALL SURFACES ARE PAINTED
 BLACK ZSS - A1 (AA-O-05.2)

THIRD ANGLE PROJECTION



EXP NO.

FIRST USED

04 - 12 - 604

702 9520 007

A1 SCREW 3911401809 WAS 8880-108-00Y

SYM. REVISIONS 13JUL06 JS 06-07-615

THIS DOCUMENT CONTAINS INFORMATION THAT IS CONFIDENTIAL AND PROPRIETARY TO PARKER HANNIFIN CORPORATION ("PARKER"). THIS DOCUMENT IS FURNISHED ON THE UNDERSTANDING THAT THE DOCUMENT AND INFORMATION WILL BE NOT COPIED OR DISCLOSED TO OTHERS OR USED FOR ANY PURPOSE OTHER THAN CONDUCTING BUSINESS WITH PARKER, AND WILL BE RETURNED AND ALL FURTHER USE DISCONTINUED UPON REQUEST BY PARKER. ALL RIGHTS RESERVED.

PGP620B0360AE1A3*MS7J6C-511A0160XB1D4B1B1+LSPV

STANDARDS:
 MOUNTING FLANGE TO SAE J744
 STRAIGHT THREADS TO SAE J514b

ADM CTR P
 REV DTE 13JUL06
 WT

DIMENSIONS ARE MM

Parker Pump & Motor Division
 Chemnitz

DR.BY DATE CH.BY DATE SCALE
 JS 03DEC04 UH 03DEC04 1/2

702 9520 007

© 2006 Parker-Hannifin Corporation