



Visit our homepage
for additional support
parker.com/pmde

Bulletin MSG30-5513-M1/UK

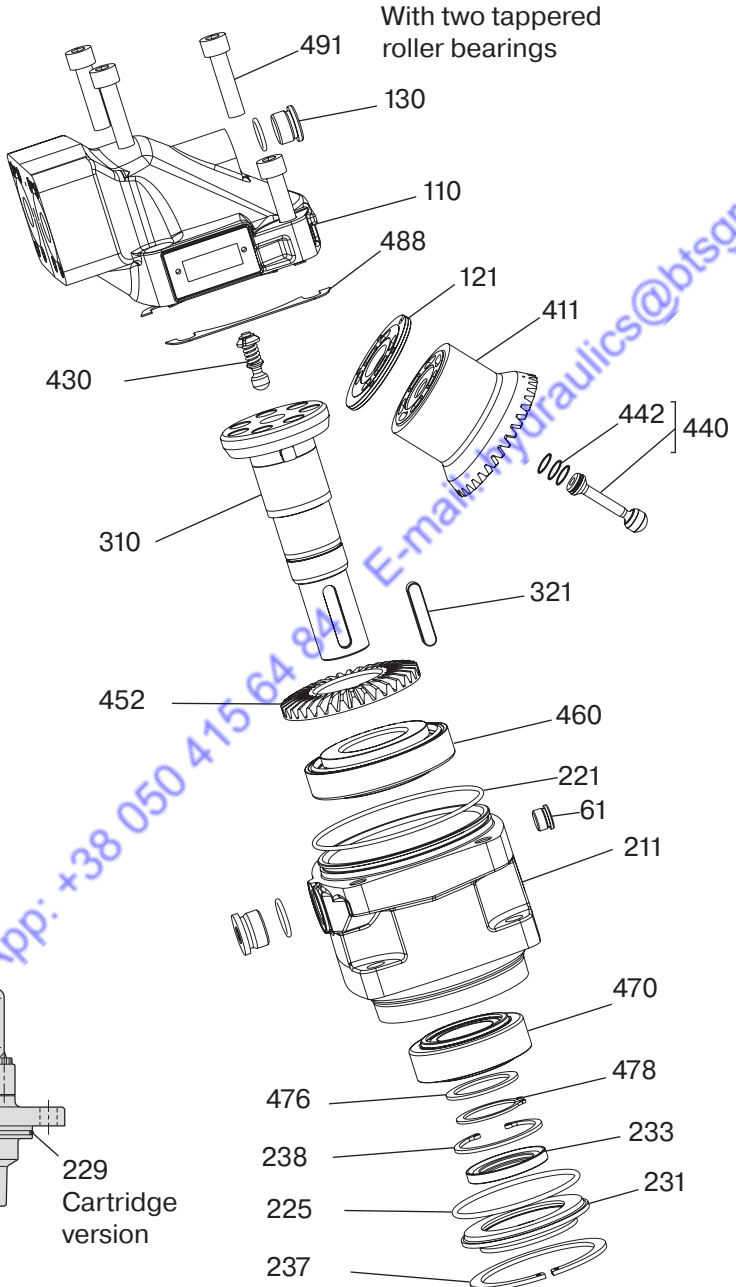
Spare Parts Series F12

Effective: March, 2022

Supersedes: February, 2022



ENGINEERING YOUR SUCCESS.



F12-030 all types from serial no. 201809300001 and up.

Pos	Part No	Description	Qty	Remarks
Housing parts				
61		Hex Socket Plug M12*1	1	VSTI12X1EDVITCF
110	3721864	Barrel Housing Assy Type F	1	
110	3721863	Barrel Housing Assy Type S	1	
130		Hex Socket Plug for S housing	1	8 HP50N-S
130		Hex Socket Plug for F housing	1	VSTI18X1,5EDVITCF
211	3784481	Bearing Housing Type C	1	Require item 61
211	3788317	Bearing Housing Type I	1	Require item 61
211	3788323	Bearing Housing Type S	1	Require item 61
211	3788320	Bearing Housing Type T	1	Require item 61
231	3797194	Seal Carrier	1	
Rotating parts				
310	3799648	Shaft type C	1	
310	3799638	Shaft type D	1	
310	3799632	Shaft type K	1	Require flat key
310	3799644	Shaft type P	1	Require flat key
310	3799634	Shaft type S	1	
310	3799640	Shaft type T	1	Require flat key
321	3724437*	Flat Key for K and P shaft	1	
321	3724449*	Flat Key for T shaft	1	
430	3724477**	Barrel Support	1	
452	3791927	Ring Gear	1	

For other parts please contact Parker Hannifin

Seal kits

3793493	Sealing kit type V FPM
3785132	Sealing kit type N NBR
3784552	Sealing kit type S PTFE
3720898	Sealing kit type S SuperCut 100

Repair Spare part Kit

3721446	Type M (Motor)
3722010	Type S (High speed Motor)
3723977	Type L (CCW pump)
3723978	Type R (CW pump)

Bearing spare part kit

3723971	Bearing kit
---------	-------------

Shim kit

3721330	Shims kit
---------	-----------

Seal kit contain:

O-rings pos: 221, 225, 229
 Shaft seal pos: 233
 Retaining rings pos: 237, 238

Repair spare part kit contain:

Valve plate pos: 121
 Cylinder Barrel pos: 411
 Pistons pos: 440 (7 pcs)
 Hex Screws pos: 491 (4 pcs)

Bearing spare part kit contain:

Tap Rol Bearing pos: 460, 470
 Spacer pos: 476
 Retaining rings pos: 478

Shim kit contain:

Shims pos: 488
 (1 pcs on each side)

*Kit contain 100 pcs, **Kit contain 20 pcs

F12-040 all types from serial no. 1998020001 and up.

Pos	Part No	Description	Qty	Remarks
Housing parts				
61		Hex Socket Plug M12*1	1	VSTI12X1EDVITCF
110	3798203	Barrel Housing Assy Type F	1	
110	3798204	Barrel Housing Assy Type S	1	
130		Hex Socket Plug for S housing	1	8 HP50N-S
130		Hex Socket Plug for F housing	1	VSTI18X1,5EDVITCF
211	3780330	Bearing Housing Type C	1	Require item 61
211	3799967	Bearing Housing Type I	1	Require item 61
211	3780130	Bearing Housing Type S	1	Require item 61
231	3796201	Seal Carrier	1	
Rotating parts				
310	3799455	Shaft type C	1	
310	3799457	Shaft type D	1	
310	3799451	Shaft type K	1	Require flat key
310	3799453	Shaft type S	1	
310	3799459	Shaft type T	1	Require flat key
321	3724451*	Flat Key for K shaft	1	
321	3724438*	Flat Key for T shaft	1	
430	3724474***	Barrel Support	1	
452	3791589	Ring Gear	1	

For other parts please contact Parker Hannifin

Seal kits

- 3793495** Sealing kit type V FPM
 3785133** Sealing kit type N NBR

Repair Spare part Kit

- 3787798 Type M (Motor)
 3723979 Type L (CCW pump)
 3723980 Type R (CW pump)

Bearing spare part kit

- 3723972 Bearing kit

Shim kit

- 3721331 Shims kit

Seal kit contain:

O-rings pos: 221, 225, 229
 Shaft seal pos: 233
 Retaining rings pos: 237, 238

Repair spare part kit contain:

Valve plate pos: 121
 Cylinder Barrel pos: 411
 Pistons pos: 440 (7 pcs)
 Hex Screws pos: 491 (4 pcs)

Bearing spare part kit contain:

Tap Rol Bearing pos: 460, 470
 Spacer pos: 476
 Retaining rings pos: 478

Shim kit contain:

Shims pos: 488
 (1 pcs on each side)

*Kit contain 100 pcs, ***Kit contain 20 pcs

** The kit contain 1 pcs O-ring for F12-60

**F12-060 all types from serial no. 1998020001 up to 202011010001.
(for serial no between 202011010001-202101010001, please contact
Parker)**

Pos	Part No	Description	Qty	Remarks
Housing parts				
61		Hex Socket Plug M12*1	1	VST112X1EDVITCF
110		Barrel Housing Assy	1	Not available
130		Hex Socket Plug	1	See next side
211	3780331	Bearing Housing Type C	1	Require item 61
211	3780127	Bearing Housing Type I	1	Require item 61
211	3780124	Bearing Housing Type S	1	Require item 61
231	3796201	Seal Carrier	1	

Rotating parts

310	3799686	Shaft type C	1	
310	3799688	Shaft type D	1	
310	3799682	Shaft type K	1	Require flat key
310	3799684	Shaft type S	1	
310	3799690	Shaft type T	1	Require flat key
321	3724445*	Flat Key for K shaft	1	
321	3724438*	Flat Key for T shaft	1	
430	3724478***	Barrel Support	1	
452	3799822	Ring Gear	1	

Seal kit contain:

O-rings pos: 221, 225, 229
Shaft seal pos: 233
Retaining rings pos: 237, 238

For other parts please contact Parker Hannifin

Seal kits

- 3793495** Sealing kit type V FPM
3785133** Sealing kit type N NBR

Repair Spare part Kit

- 3787799 Type M (Motor)

Bearing spare part kit

- 3723973 Bearing kit

Shim kit

- 3721332 Shims kit

Repair spare part kit contain:

Valve plate pos: 121
Cylinder Barrel pos: 411
Pistons pos: 440 (7 pcs)
Hex Screws pos: 491 (4 pcs)

Bearing spare part kit contain:

Tap Rol Bearing pos: 460, 470
Spacer pos: 476
Retaining rings pos: 478

Shim kit contain:

Shims pos: 488
(1 pcs on each side)

*Kit contain 100 pcs, ***Kit contain 20 pcs

** The kit contain 1 pcs O-ring for F12-40

F12-060 with needle bearings from serial no. 202011010001 and up.

Pos	Part No	Description	Qty	Remarks
Housing parts				
61		Hex Socket Plug M12*1	1	VSTI12X1EDVITCF
110	3722721	Barrel Housing Assy Type F	1	
110	3722723	Barrel Housing Assy Type S	1	
130		Hex Socket Plug S housing	1	10 HP50N-S
130		Hex Socket Plug F housing	1	VSTI22X1.5EDVITCF
211	3780331	Bearing Housing Type C	1	Require item 61
211	3780127	Bearing Housing Type I	1	Require item 61
211	3780124	Bearing Housing Type S	1	Require item 61
231	3796201	Seal Carrier	1	
Rotating parts				
310	3799686	Shaft type C	1	
310	3799688	Shaft type D	1	
310	3799682	Shaft type K	1	Require flat key
310	3799684	Shaft type S	1	
310	3799690	Shaft type T	1	Require flat key
321	3724445*	Flat Key for K shaft	1	
321	3724438*	Flat Key for T shaft	1	
430	3724478***	Barrel Support	1	
452	3799822	Ring Gear	1	

Seal kit contain:

O-rings pos: 221, 225, 229

Shaft seal pos: 233

Retaining rings pos: 237, 238

Repair spare part kit contain:

Valve plate pos: 121

Cylinder Barrel pos: 411

Pistons pos: 440 (7 pcs)

Hex Screws pos: 491 (4 pcs)

Bearing spare part kit contain:

Tap Rol Bearing pos: 460, 470

Spacer pos: 476

Retaining rings pos: 478

Shim kit contain:

Shims pos: 488

(1 pcs on each side)

For other parts please contact Parker Hannifin**Seal kits**

3793495** Sealing kit type V FPM

3785133** Sealing kit type N NBR

Repair Spare part Kit

3723104 Type M (Motor)

3723981 Type L (CCW pump)

3723982 Type R (CW pump)

Bearing spare part kit

3723973 Bearing kit

Shim kit

3721332 Shims kit

*Kit contain 100 pcs, ***Kit contain 20 pcs

** The kit contain 1 pcs O-ring for F12-40

F12-080 all types from serial no. 1998491161 and up.

Pos	Part No	Description	Qty	Remarks
Housing parts				
61		Hex Socket Plug M12*1	1	VSTI12X1EDVITCF
110	3780658	Barrel Housing Assy Type F	1	
110	3780660	Barrel Housing Assy Type S	1	
130		Hex Socket Plug S housing	1	10 HP50N-S
130		Hex Socket Plug F housing	1	VSTI22X1.5EDVITCF
211	3780327	Bearing Housing Type C	1	Require item 61
211	3780813	Bearing Housing Type I	1	Require item 61
211	3780812	Bearing Housing Type S	1	Require item 61
231	3796200	Seal Carrier	1	
Rotating parts				
310	3780671	Shaft type C	1	
310	3780673	Shaft type D	1	
310	3780667	Shaft type K	1	Require flat key
310	3780669	Shaft type S	1	
310	3780675	Shaft type T	1	Require flat key
310	3780677	Shaft type U	1	
321	3724448*	Flat Key for K shaft	1	
321	3724440*	Flat Key for T shaft	1	
430	3724475**	Barrel Support	1	
452	3787847	Ring Gear	1	

Seal kit contain:

O-rings pos: 221, 225, 229

Shaft seal pos: 233

Retaining rings pos: 237, 238

Repair spare part kit contain:

Valve plate pos: 121

Cylinder Barrel pos: 411

Pistons pos: 440 (7 pcs)

Hex Screws pos: 491 (4 pcs)

Bearing spare part kit contain:

Tap Rol Bearing pos: 460, 470

Spacer pos: 476

Retaining rings pos: 478

Shim kit contain:

Shims pos: 488

(1 pcs on each side)

For other parts please contact Parker Hannifin**Seal kits**

3793499 Sealing kit type V FPM

3785136 Sealing kit type N NBR

Repair Spare part Kit

3787800 Type M (Motor)

3723983 Type L (CCW pump)

3723984 Type R (CW pump)

Bearing spare part kit

3723974 Bearing kit

Shim kit

3721333 Shims kit

*Kit contain 100 pcs, **Kit contain 20 pcs

Pos	Part No	Description	Qty	Remarks
Housing parts				
61		Hex Socket Plug M12*1	1	VST112X1EDVITCF
110	3780658	Barrel Housing Assy Type F	1	
110	3780660	Barrel Housing Assy Type S	1	
130		Hex Socket Plug S housing	1	10 HP50N-S
130		Hex Socket Plug F housing	1	VST122X1.5EDVITCF
211	3780327	Bearing Housing Type C	1	Require item 61
211	3780813	Bearing Housing Type I	1	Require item 61
211	3780812	Bearing Housing Type S	1	Require item 61
231	3796200	Seal Carrier	1	
Rotating parts				
310	3780671	Shaft type C	1	
310	3780673	Shaft type D	1	
310	3780667	Shaft type K	1	Require flat key
310	3780669	Shaft type S	1	
310	3780675	Shaft type T	1	Require flat key
310	3780677	Shaft type U	1	
321	3724448*	Flat Key for K shaft	1	
321	3724440*	Flat Key for T shaft	1	
430	3724475**	Barrel Support	1	
452	3787847	Ring Gear	1	

For other parts please contact Parker Hannifin

Seal kits

3793499	Sealing kit type V FPM
3785136	Sealing kit type N NBR

Repair Spare part Kit

3787801	Type M (Motor)
3723985	Type L (CCW pump)
3723986	Type R (CW pump)

Bearing spare part kit

3723974	Bearing kit
---------	-------------

Shim kit

3721333	Shims kit
---------	-----------

Seal kit contain:

O-rings pos: 221, 225, 229
 Shaft seal pos: 233
 Retaining rings pos: 237, 238

Repair spare part kit contain:

Valve plate pos: 121
 Cylinder Barrel pos: 411
 Pistons pos: 440 (7 pcs)
 Hex Screws pos: 491 (4 pcs)

Bearing spare part kit contain:

Tap Rol Bearing pos: 460, 470
 Spacer pos: 476
 Retaining rings pos: 478

Shim kit contain:

Shims pos: 488
 (1 pcs on each side)

*Kit contain 100 pcs, **Kit contain 20 pcs

F12-110 from serial no. 200402010001 and up

Pos	Part No	Description	Qty	Remarks
Housing parts				
61		Hex Socket Plug M12*1	1	VSTI12X1EDVITCF
110	3709914	Barrel Housing Assy Type F	1	
110	3794372	Barrel Housing Assy Type S	1	
130		Hex Socket Plug S housing	1	12 HP50N-S
130		Hex Socket Plug F housing	1	VSTI22X1.5EDVITCF
211	3781449	Bearing Housing Type C	1	Require item 61
211	3781447	Bearing Housing Type I	1	Require item 61
211	3781448	Bearing Housing Type S	1	Require item 61
231	3796182	Seal Carrier	1	
Rotating parts				
310	3783323	Shaft type C	1	
310	3783322	Shaft type D	1	
310	3783321	Shaft type K	1	Require flat key
310	3783320	Shaft type S	1	
310	3783324	Shaft type T	1	Require flat key
321	3724446*	Flat Key for K shaft	1	
321	3724439*	Flat Key for T shaft	1	
430	3724476**	Barrel Support	1	
452	3783319	Ring Gear	1	

For other parts please contact Parker Hannifin

	Seal kits
3798092	Sealing kit type V FPM
3785137	Sealing kit type N NBR

	Repair Spare part Kit
3787802	Type M (Motor)
3723987	Type L (CCW pump)
3723988	Type R (CW pump)

	Bearing spare part kit
3723975	Bearing kit

	Shim kit
3721334	Shims kit

Seal kit contain:

O-rings pos: 221, 225, 229
 Shaft seal pos: 233
 Retaining rings pos: 237, 238

Repair spare part kit contain:

Valve plate pos: 121
 Cylinder Barrel pos: 411
 Pistons pos: 440 (7 pcs)
 Hex Screws pos: 491 (4 pcs)

Bearing spare part kit contain:

Tap Rol Bearing pos: 460, 470
 Spacer pos: 476
 Retaining rings pos: 478

Shim kit contain:

Shims pos: 488
 (1 pcs on each side)

*Kit contain 100 pcs, **Kit contain 20 pcs

Pos	Part No	Description	Qty	Remarks
Housing parts				
61		Hex Socket Plug M12*1	1	VST112X1EDVITCF
110	3709914	Barrel Housing Assy Type F	1	
110	3794372	Barrel Housing Assy Type S	1	
130		Hex Socket Plug S housing	1	12 HP50N-S
130		Hex Socket Plug F housing	1	VST122X1.5EDVITCF
211	3781449	Bearing Housing Type C	1	Require item 61
211	3781447	Bearing Housing Type I	1	Require item 61
211	3781448	Bearing Housing Type S	1	Require item 61
231	3796182	Seal Carrier	1	
Rotating parts				
310	3783323	Shaft type C	1	
310	3783322	Shaft type D	1	
310	3783321	Shaft type K	1	Require flat key
310	3783320	Shaft type S	1	
310	3783324	Shaft type T	1	Require flat key
321	3724446*	Flat Key for K shaft	1	
321	3724439*	Flat Key for T shaft	1	
430	3724476**	Barrel Support	1	
452	3783319	Ring Gear	1	

For other parts please contact Parker Hannifin

Seal kits

3798092	Sealing kit type V FPM
3785137	Sealing kit type N NBR

Repair Spare part Kit

3787803	Type M (Motor)
3723989	Type L (CCW pump)
3723990	Type R (CW pump)

Bearing spare part kit

3723975	Bearing kit
---------	-------------

Shim kit

3721334	Shims kit
---------	-----------

Seal kit contain:

O-rings pos: 221, 225, 229
 Shaft seal pos: 233
 Retaining rings pos: 237, 238

Repair spare part kit contain:

Valve plate pos: 121
 Cylinder Barrel pos: 411
 Pistons pos: 440 (7 pcs)
 Hex Screws pos: 491 (4 pcs)

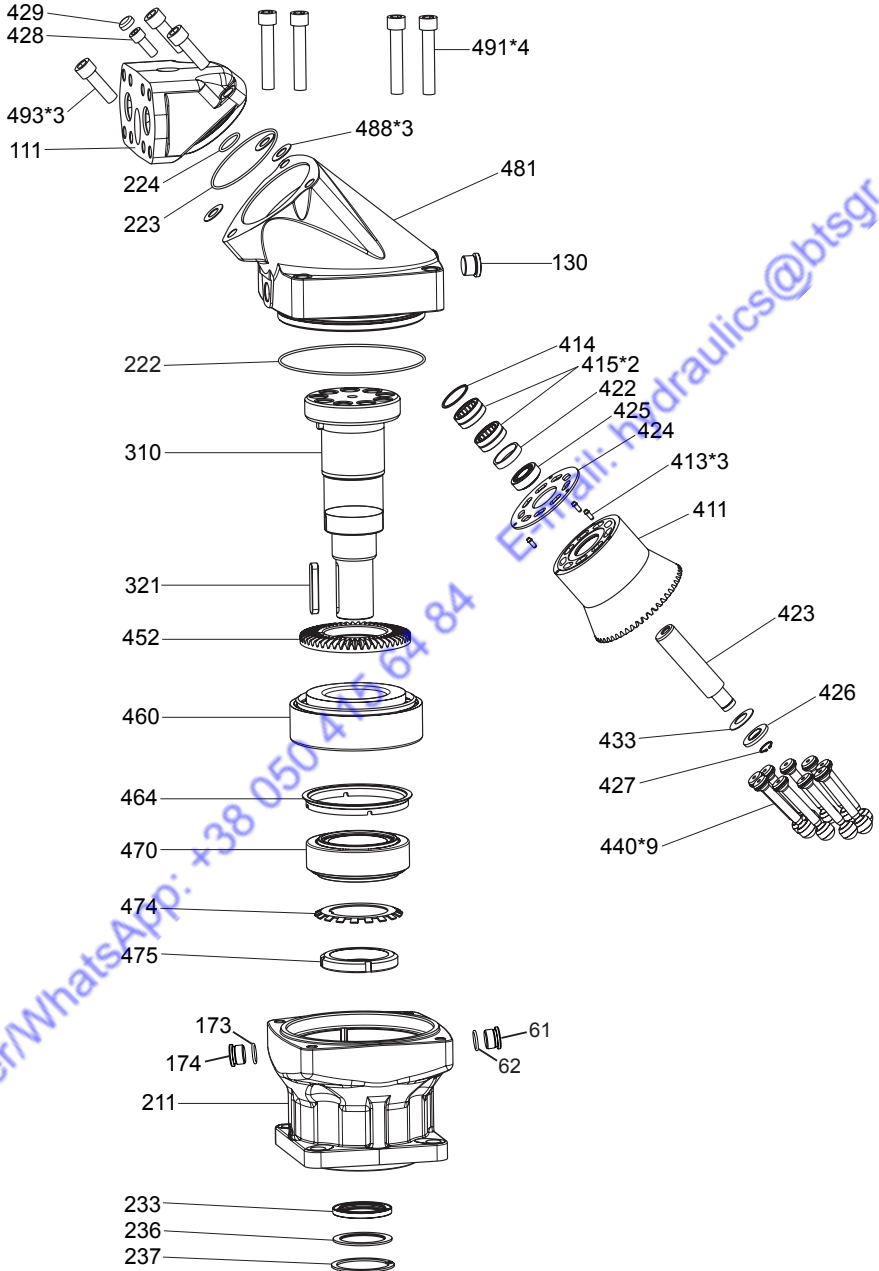
Bearing spare part kit contain:

Tap Rol Bearing pos: 460, 470
 Spacer pos: 476
 Retaining rings pos: 478

Shim kit contain:

Shims pos: 488
 (1 pcs on each side)

*Kit contain 100 pcs, **Kit contain 20 pcs



Pos	Part No	Description	Qty	Remarks
Housing parts				
61		Hex Socket Plug M12*1	1	VST112X1EDVITCF
111	3795856	End Cap QF Motor	1	
130		Hex Socket Plug	1	VST13/4EDVITCF
174		Hex Socket Plug	1	VST112X1EDVITCF
211	3787080	Bearing Housing Type S	1	Require item 130 174 251
251		Hex Socket Plug	1	4 HP5ON-S
481	3788726	Barrel housing	1	Require item 61
Rotating parts				
310	3788751	Shaft type K	1	Require flat key
310	3789501	Shaft type F	1	
310	3788839	Shaft type S	1	
321	3724446*	Flat Key for K shaft	1	
452	3787126	Ring Gear	1	

For other parts please contact Parker Hannifin

Seal kits

3797126 Sealing kit type V FPM

Repair Spare part Kit

3723738 REPAIR SPARE KIT F12-250

Bearing spare part kit

3723976 Bearing kit

Shim kit

3721336 Shims kit

Seal kit contain:

O-rings pos: 222, 223, 224
 Shaft seal pos: 233
 Back up ring pos: 236
 Retaining rings pos: 237
 Hex Screw pos: 428, 429

Repair spare part kit contain pos:

411,413, 414, 415, 422,423,
 424, 425, 426, 427, 428, 429,
 433, 440, 491, 493

Bearing spare part kit contain:

Tap Rol Bearing pos: 460, 470
 Spacer ring pos: 464
 Lock washer pos: 474
 Round nut pos: 475

Shim kit contain:

Shims pos: 488
 (1 pcs on each side)

*Kit contain 100 pcs

Declaration

Position notification regarding Machinery Directive 2006/42/EC:

Products made by the Pump & Motor Division Europe (PMDE) of Parker Hannifin are excluded from the scope of the machinery directive following the "Cetop" Position Paper on the implementation of the Machinery Directive 2006/42/EC in the Fluid Power Industry.

All PMDE products are designed and manufactured considering the basic as well as the proven safety principles according to:

- ISO 13849-1:2015
- SS-EN ISO 4413:2010

so that the machines in which the products are incorporated meet the essential health and safety requirements.

Confirmations for components to be proven component, e. g. for validation of hydraulic systems, can only be provided after an analysis of the specific application, as the fact to be a proven component mainly depends on the specific application.

Dr. Hans Haas

General Manger

Pump & Motor Division Europe



WARNING – USER RESPONSIBILITY

FAILURE OR IMPROPER SELECTION OR IMPROPER USE OF THE PRODUCTS DESCRIBED HEREIN OR RELATED ITEMS CAN CAUSE DEATH, PERSONAL INJURY AND PROPERTY DAMAGE.

This document and other information from Parker-Hannifin Corporation, its subsidiaries and authorized distributors provide product or system options for further investigation by users having technical expertise.

The user, through its own analysis and testing, is solely responsible for making the final selection of the system and components and assuring that all performance, endurance, maintenance, safety and warning requirements of the application are met. The user must analyze all aspects of the application, follow applicable industry standards, and follow the information concerning the product in the current product catalogue and in any other materials provided from Parker or its subsidiaries or authorized distributors.

To the extent that Parker or its subsidiaries or authorized distributors provide component or system options based upon data or specifications provided by the user, the user is responsible for determining that such data and specifications are suitable and sufficient for all applications and reasonably foreseeable uses of the components or systems.

Offer of Sale

Please contact your Parker representation for a detailed "Offer of Sale".



Parker Hannifin Manufacturing Sweden AB

Pump & Motor Division Europe

Flygmotorvägen 2

461 82 Trollhättan

Sweden

Tel. +46 (0)520 40 45 00

www.parker.com/pmde

MSG30-5513-M1/UK

© Copyright 2021

All rights reserved